

MODEL: **Performa 1/22158QTELCP**

Performa

1/2-inch Sink Taps with 6-inch Levers

Mount: Deck mounted
Water feed: Single
Controls: 6-inch lever
Connections: 1/2-inch
Tap type: Sink

FEATURES & BENEFITS

- Especially engineered for long life and service.
- Recognised industry leader.
- Suitable for a wide variety of applications.
- Easy to service and maintain.
- High quality polished chrome finish.

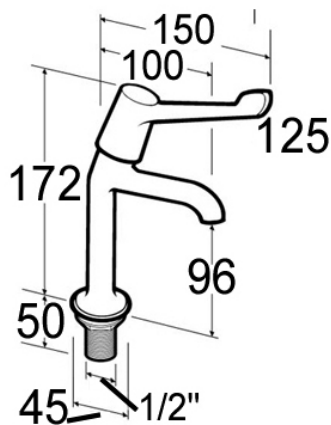
TECHNICAL INFO

- Connection(s): 1/2-inch.
- Worktop hole: 25mm.
- Recommended static water pressure range: 0.2-6 bar.
- Flow rate: 13.36 lpm tested at 3 bar pressure.



MAINTENANCE & CLEANING

Cleaning chrome: Do not use abrasive, chlorine or acid-based cleaning products. Avoid contact with concentrated bleach. Clean with soapy water using a cloth or sponge.



Dimensions are in millimeters. If a Cad file is required please visit www.mechline.com.



MECHLINE DEVELOPMENTS LIMITED
 Tel: +44 (0)1908 261511 | Email: info@mechline.com | Web: www.mechline.com