

# D400 Undercounter Dishwasher

Technical Specifications



**CLASSEQ**  
Warewashing Made Simple.

# D400

Compact, front loading and with simple two button controls for effortless, consistently clean results, the D400 is the perfect dishwasher for where space is limited.

The D400 is an easy to operate dishwasher with a 400 x 400mm basket that holds 9 full-sized plates. With its three minute wash cycle, this machine is capable of cleaning up to 180 plates per hour.

With a digital LED display, intuitive colour coded lighting and universally recognised symbols, this machine is incredibly easy to use, plus features performance enhancing customisations through its advanced settings modes. Additionally, its clever software constantly monitors wash cycles, temperatures, chemical usage and any errors giving valuable data which is used to improve operational efficiencies.

The D400 comes as standard with a gravity drain, which is suitable in instances where the machine is above the waste outlet. The optional drain pump (D400P) is essential where the drainage is either higher than the machines waste outlet, or has to be pumped to a stand pipe.



**Optional Drain Pump**  
Our D400 is also available  
with an Optional Drain Pump.  
Model code: D400P.

# Warewashing made simple:



## Locally manufactured

Our machines are Made in Britain (Staffordshire) meaning shorter lead times on delivery, parts and support.



## 3 Minute Cycle Time

The D500 three minute cycle allows for maximum output without compromising wash quality.



## User Friendly

We've maximised our user experience through, two simple button controls.



## Advanced Customer Features

Adjust rinse aid and detergent settings and priming of chemical pumps.



## Colour Coded Display

Amber flashing - Machine heating  
Blue - Machine in cycle  
Green - Machine ready



## Operational Data monitoring

Our machine constantly measures all cycles, heating and errors providing useful data for improving efficiencies.

# Machine Features:

1 400mm x 400mm basket	2 Built-in chemical pumps	3 Energy saving standby mode	4 Removable basket guides
5 Dual wash filter system	6 Temperature interlock - guarantees hot rinse	7 Assisted self-clean	8 Noise reducing double skinned door

## Hydraulic specifications

Water supply connection	G3/4" (3/4" BSP)
Minimum allowed supply water pressure	2.0 bar
Required water flow rate	11 L/min
Minimum incoming water temperature	4°C
Maximum incoming water temperature	55°C
Gravity drain height (from machine base)	40 mm
(Optional) Pumped drain height (from machine base)	540 mm
Drain size	Ø40 mm

## Electrical specifications

### Standard Set-up

Amps Required	13A (1 phase)
Standard Operating Voltage	220-240V / 1N~ / 50Hz
Total Connected Load	2.85kW

### Optional Set-up

Amps Required	13A (3 phase)*
Standard Operating Voltage	380-415V / 3N~/50Hz
Total Connected Load	6.58kW

### Optional Set-up

Amps Required	30A (1 phase)*
Standard Operating Voltage	220-240V / 1N~ / 50Hz
Total Connected Load	6.58kW

## Performance

Wash tank element	2.00kW
Rinse tank element	2.60kW
Wash tank capacity	9.77 litres
Rinse tank capacity	6.5 litres
Rinse water consumption at 3 bar	3.00 L/cycle
Theoretical maximum racks/hours	20
Wash tank temperature	55°C
Rinse tank temperature	82°C
Wash pump power	0.25 kW
Rinse pump power	N/A

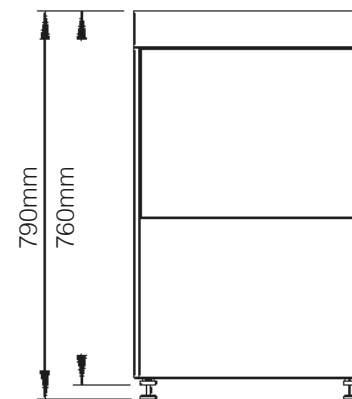
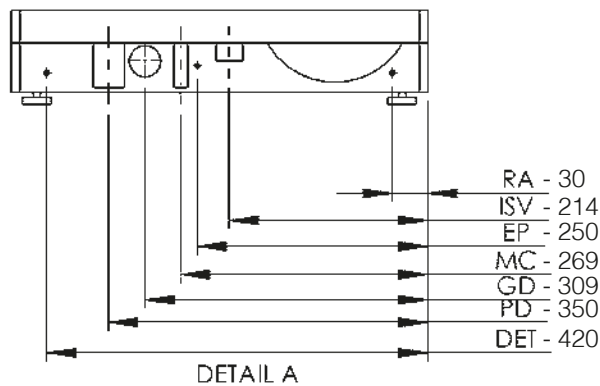
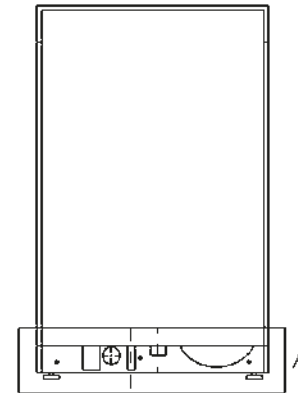
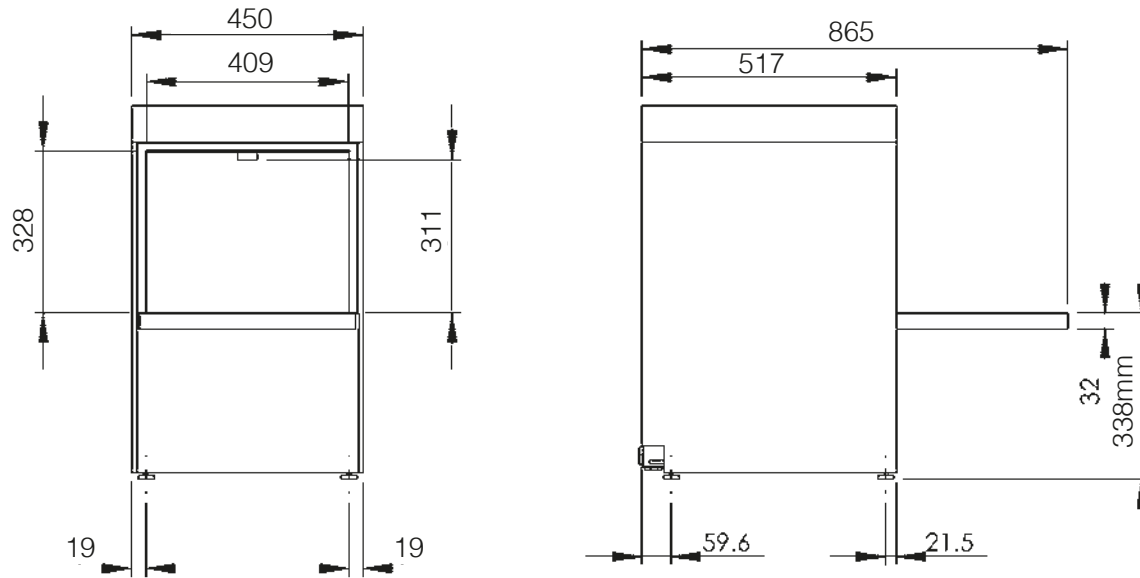
**Please Note:** D400P Specification as above.

**\*Optional Electrical Configurations :** An optional 13amp 3ph or 30amp 1ph configuration is available on all 400 models at an additional price.

# Mechanical Specifications

## Additional Info:

Wash water temperature	55°C
Dish Washer rinse temperature	82°C
Noise level	Under 70dB
Empty weight	33.5kg
Fully Loaded weight	50kg
Packed weight	43.2kg



## Dimensions (mm):

450 (W) x 760 (H) (790 max) x 517 (D)

Description	Symbol	Radius from machine (m)
Rinse aid tube	RA	3
Inlet solenoid valve	ISV	1.8
Mains electrical cable	EC	1.3
Gravity waste water outlet	GD	1.5
Pumped waste water outlet	PD	1.5
Equipotential bonding stud	EP	-
Detergent tube	DET	3

Please Note: All dimensions in mm

## Contact:

Tel: +44 (0)844 225 9250  
Email: sales@classeq.co.uk

Classeq Ltd, Roebuck Way,  
Knowlhill, Milton Keynes MK5 8WH

www.classeq.co.uk

**CLASSEQ**  
Warewashing Made Simple.