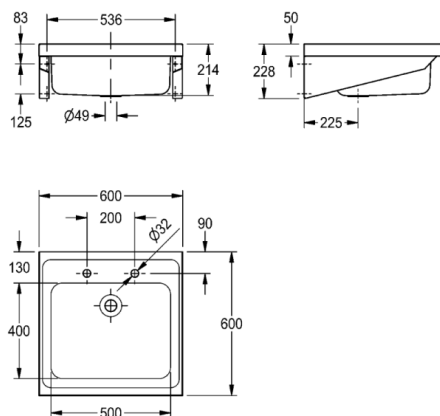


# Hospital sink

MODEL RANGE: | G22002NT | 215.0000.016

Utility sinks | Multi purpose sink



A single bowl sink manufactured from 1.2 mm thick, grade 1.4301 (304) stainless steel, satin polish finish. The sink top is turned down on all four edges and incorporates a wet area recess. The bowl is prepared for a 38 mm waste outlet.

NOTE: It is not possible to fit an overflow. The sink top can either be mounted on wall brackets or front leg supports - see extras listed below.

Single bowl with 2 tapholes at 200 mm centres

## Technical data

Bowl height	200.00 mm
Bowl depth	500.00 mm
Bowl width	400.00 mm
Material thickness	1.20 mm
Overall depth	600.00 mm
Overall height	218.00 mm
Overall width	600.00 mm
Material	Stainless steel
Material code	1.4301 Chrome Nickel steel V2A
Tailor made	No
Tap ledge	No
Type of mounting	Wall mounting
Waste hole position	Center back
Bowl finish	Satin finish
Surface finish	Satin finished
Waste size	DN 32
Drainer or storage	No
Product code	215.0000.016