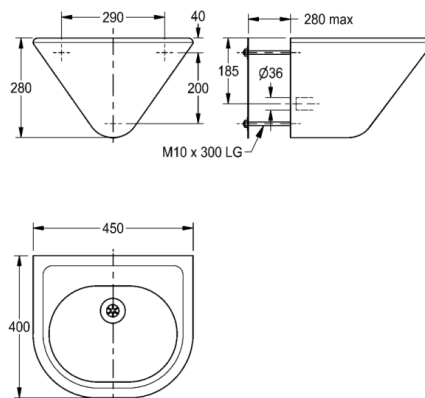


HEAVY-DUTY single washbasin

MODEL RANGE: HEAVYDUTY | HDTX450 | 203.0000.138

Washbasins & Washtroughs | Wash basins



Single wash basin for wall mounting, stainless steel, surface satin finished, material thickness 1.2 mm, with 3 threaded rods for mounting through the wall via a service room, seamless welded bowl, 40 mm tap ledge, without taphole, without overflow, 1 1/4" flat perforated waste, includes hidden mounted siphon DN 32.

Dimensions 450 x 280 x 400 mm (W x H x D)

Technical data

Bowl depth	150.00 mm
Bowl width	270.00 mm
Bowl width	360.00 mm
Material thickness	1.20 mm
Overall depth	400.00 mm
Overall height	280.00 mm
Overall width	450.00 mm
Waste hole projection	155.00 mm
Material	Stainless steel
Material code	1.4301 Chrome Nickel steel V2A
Tailor made	No
Tap ledge	Yes
Type of mounting	Bolt fix with duct wall
Waste hole position	Center back
Bowl position	Center
Bowl finish	Satin finish
Bowl shape	Oval
Colour	No colour
Number of bowls	1.00000
Overflow	No
Rear upstand	No
Siphon included	No
Splash back	No
Surface finish	Satin finished
Number of tap holes	0.00000
Type of waste kit	Stem valve
Waste kit included	Yes
Waste size	DN 32
Spillway	No
Siphon diameter	DN 32
Type of basin	Vanity basin
Product code	203.0000.138